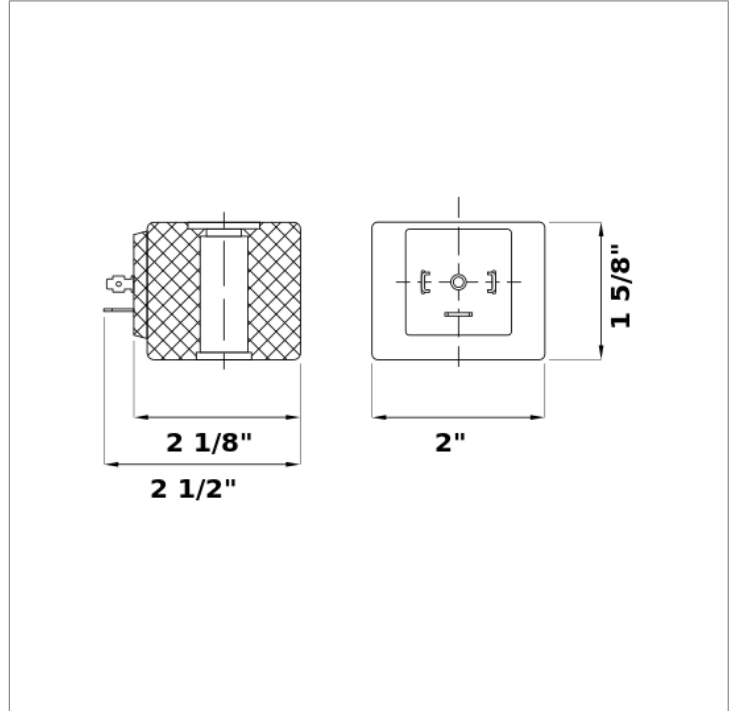


## H2

24 V dc solenoid valve coil



Electrical	
Power:	24 V dc
Connection:	Form A connector (not included)
Wattage:	14.0 W
Tolerances:	+10% -15%
Coil rating:	-5-355 °F (Class H)

Materials	
Coil molding:	Polyethylene (PET)

See this part online:



[granzow.com](http://granzow.com)