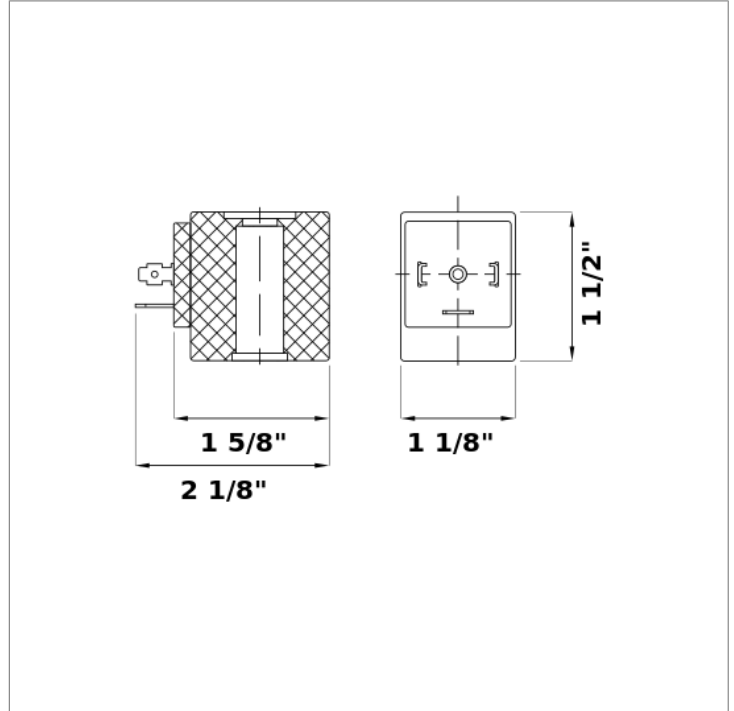


## D2

24 V dc solenoid valve coil



Electrical	
Power:	24 V dc
Connection:	Form A connector (not included)
Wattage:	8.0 W
Tolerances:	+10% -15%
Coil rating:	15–310 °F (Class F)

Materials	
Coil molding:	Polyamide (PA)

See this part online:



[granzow.com](http://granzow.com)