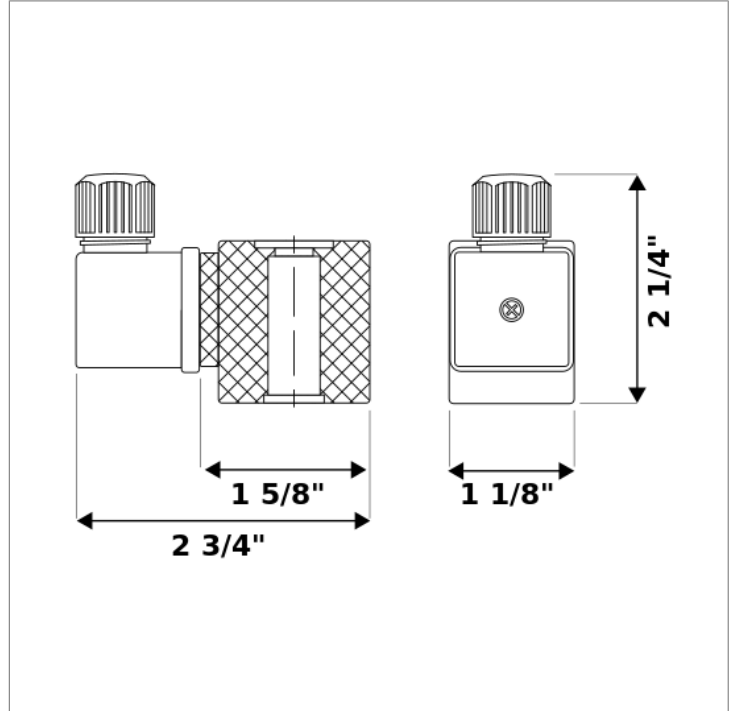


C-D29

24 V dc solenoid valve coil with cable gland connector



Electrical

Power:	24 V dc
Connection:	Cable gland
Wattage:	8.0 W
Tolerances:	+10% -15%
Coil rating:	15–310 °F (Class F)
Enclosure:	NEMA 4, IP65

Materials

Coil molding:	Polyamide (PA)
---------------	----------------

See this part online:



[C-D29](https://www.granzow.com)

[granzow.com](https://www.granzow.com)