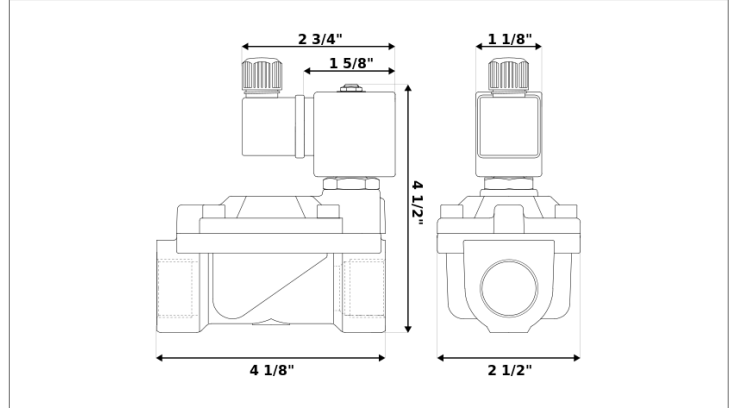


X6B19-00T

Series X, normally closed, pilot operated, 2-way solenoid valve with stainless steel 316 body and 1" connections



Valve	
Pipe size:	G 1"
Operating pressure:	8–150 psi
Flow coefficient:	9.1 Cv
Media temperature:	140–355 °F
Ambient temperature:	-5–140 °F
Suggested usage:	Steam, hot water, chemicals
Operation:	2-way, normally closed solenoid valve
Mechanism:	Pilot operated
Manual override:	No
Pipe gender:	Female
Orifice size:	1"
Design pressure:	320 psi
Media viscosity:	12 cSt

Electrical	
Power:	120 V ac
Connection:	Cable gland (6–8 mm)
Holding:	15 VA
Inrush:	25 VA
Voltage tolerances:	+10% -15%
Coil inner diameter:	1/2"
Coil molding:	Polyethylene (PET)
Coil rating:	-5–355 °F (Class H)
Duty cycle:	Continuous, 100% ED
Enclosure:	NEMA 4, IP65

Materials	
Body:	Stainless steel 316
Seal:	Polytetrafluoroethylene (PTFE)
Orifice:	Stainless steel 316
Core tube:	Stainless steel 300
Fixed core:	Stainless steel 400
Plunger:	Stainless steel 400
Spring:	Stainless steel 300
Shading ring:	Gold-plated copper

Accessories		
REPAIR KIT	CORE TUBE	COIL/CONNECTOR
RK-X0T2	AT-H0T1	C-B19
<ul style="list-style-type: none"> • Diaphragm • Sealing ring • O-rings (2 ea.) • Plunger • Spring 	<ul style="list-style-type: none"> • Core tube • Plunger • O-ring 	<ul style="list-style-type: none"> • 120 V ac electrical coil • Cable gland connector

See this part online:



[X6B19-00T](#)

granzow.com