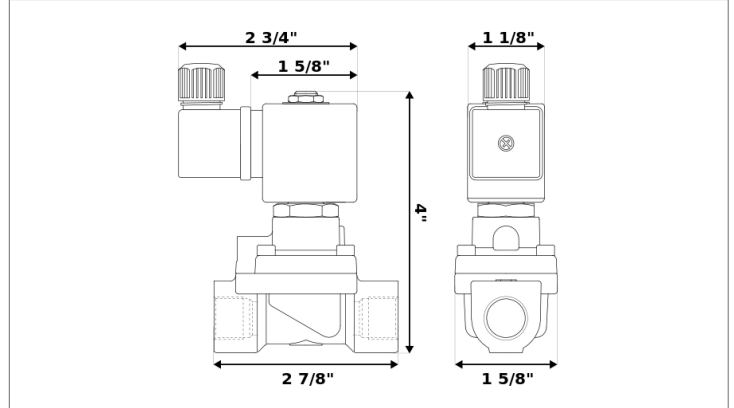


## X4B19-00T

Series X, normally closed, pilot operated, 2-way solenoid valve with stainless steel 316 body and 1/2" connections



Valve	
Pipe size:	G 1/2"
Operating pressure:	8–150 psi
Flow coefficient:	2.5 Cv
Media temperature:	140–355 °F
Ambient temperature:	-5–140 °F
Suggested usage:	Steam, hot water, chemicals
Operation:	2-way, normally closed solenoid valve
Mechanism:	Pilot operated
Manual override:	No
Pipe gender:	Female
Orifice size:	1/2"
Design pressure:	360 psi
Media viscosity:	12 cSt

Electrical	
Power:	120 V ac
Connection:	Cable gland (6–8 mm)
Holding:	15 VA
Inrush:	25 VA
Voltage tolerances:	+10% -15%
Coil inner diameter:	1/2"
Coil molding:	Polyethylene (PET)
Coil rating:	-5–355 °F (Class H)
Duty cycle:	Continuous, 100% ED
Enclosure:	NEMA 4, IP65

Materials	
Body:	Stainless steel 316
Seal:	Polytetrafluoroethylene (PTFE)
Orifice:	Stainless steel 316
Core tube:	Stainless steel 300
Fixed core:	Stainless steel 400
Plunger:	Stainless steel 400
Spring:	Stainless steel 300
Shading ring:	Gold-plated copper

Accessories		
REPAIR KIT	CORE TUBE	COIL/CONNECTOR
RK-X0T1	AT-H0T1	C-B19
<ul style="list-style-type: none"> <li>• Diaphragm</li> <li>• Sealing ring</li> <li>• O-ring</li> <li>• Plunger</li> <li>• Spring</li> </ul>	<ul style="list-style-type: none"> <li>• Core tube</li> <li>• Plunger</li> <li>• O-ring</li> </ul>	<ul style="list-style-type: none"> <li>• 120 V ac electrical coil</li> <li>• Cable gland connector</li> </ul>

See this part online:



[X4B19-00T](#)

[granzow.com](http://granzow.com)