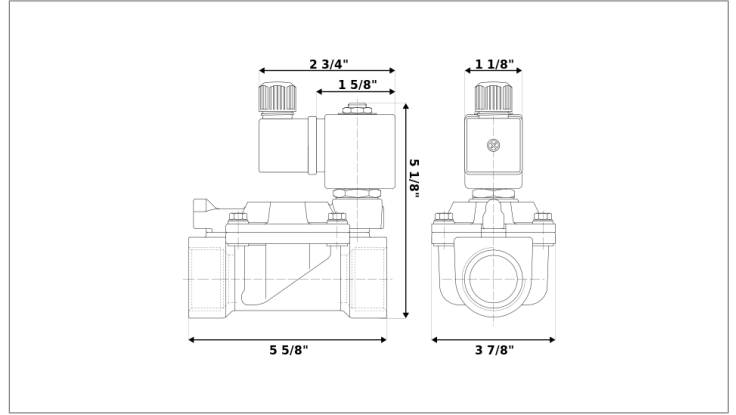


W8D29-000

Series W, normally closed, pilot operated, 2-way solenoid valve with brass body and 1 1/2" connections



Valve	
Pipe size:	1 1/2" NPT
Operating pressure:	3–150 psi
Flow coefficient:	36 Cv
Media temperature:	15–195 °F
Ambient temperature:	15–105 °F
Suggested usage:	Air, inert gas, water
Operation:	2-way, normally closed solenoid valve
Mechanism:	Pilot operated
Manual override:	No
Pipe gender:	Female
Orifice size:	1 5/8"
Design pressure:	230 psi
Media viscosity:	12 cSt

Electrical	
Power:	24 V dc
Wattage:	8 W
Connection:	Cable gland (6–8 mm)
Consumption:	0.33 A
Voltage tolerances:	+10% -5%
Coil inner diameter:	1/2"
Coil molding:	Polyamide (PA)
Coil rating:	15–310 °F (Class F)
Duty cycle:	Continuous, 100% ED
Enclosure:	NEMA 4, IP65

Materials	
Body:	Brass
Seal:	Buna-N rubber (NBR)
Orifice:	Brass
Core tube:	Stainless steel 300
Fixed core:	Stainless steel 400
Plunger:	Stainless steel 400
Spring:	Stainless steel 300
Shading ring:	Copper

Accessories		
REPAIR KIT	CORE TUBE	COIL/CONNECTOR
RK-W004	AT-A001	C-D29
<ul style="list-style-type: none"> • Diaphragm • O-rings (2 ea.) • Plunger 	<ul style="list-style-type: none"> • Core tube • Plunger 	<ul style="list-style-type: none"> • 24 V dc electrical coil • Cable gland connector

See this part online:



granzow.com