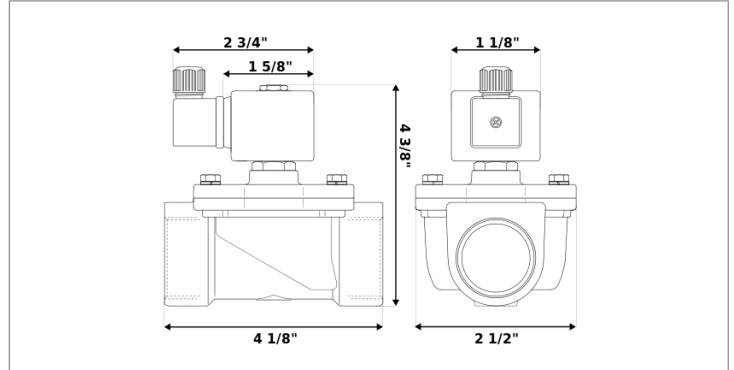


H6B19-00Y




Series H, normally closed, direct lift, 2-way solenoid valve with brass body and 1" connections



Valve	
Pipe size:	1" NPT
Operating pressure:	0–115 psi
Flow coefficient:	8.4 Cv
Media temperature:	15–195 °F
Ambient temperature:	-5–140 °F
Suggested usage:	Air, inert gas, water
Operation:	2-way, normally closed solenoid valve
Mechanism:	Direct lift
Manual override:	No
Pipe gender:	Female
Orifice size:	1"
Design pressure:	230 psi
Vacuum rating:	0.001 Torr
Media viscosity:	12 cSt

Materials	
Body:	Brass
Seal:	Buna-N/polyamide rubber (NBR/PA)
Orifice:	Brass
Core tube:	Stainless steel 300
Fixed core:	Stainless steel 400
Plunger:	Stainless steel 400
Spring:	Stainless steel 300
Shading ring:	Copper

Electrical	
Power:	120 V ac
Connection:	Cable gland (6–8 mm)
Holding:	15 VA
Inrush:	25 VA
Voltage tolerances:	+10% -15%
Coil inner diameter:	1/2"
Coil molding:	Polyethylene (PET)
Coil rating:	-5–355 °F (Class H)
Duty cycle:	Continuous, 100% ED
Enclosure:	NEMA 4, IP65

Accessories		
REPAIR KIT	CORE TUBE	COIL/CONNECTOR
RK-H0Y3	AT-H092	C-B19
		
<ul style="list-style-type: none"> Plunger and diaphragm assembly Spring 	<ul style="list-style-type: none"> Core tube 	<ul style="list-style-type: none"> 120 V ac electrical coil Cable gland connector

See this part online:



[H6B19-00Y](https://www.granzow.com/H6B19-00Y)

[granzow.com](https://www.granzow.com)