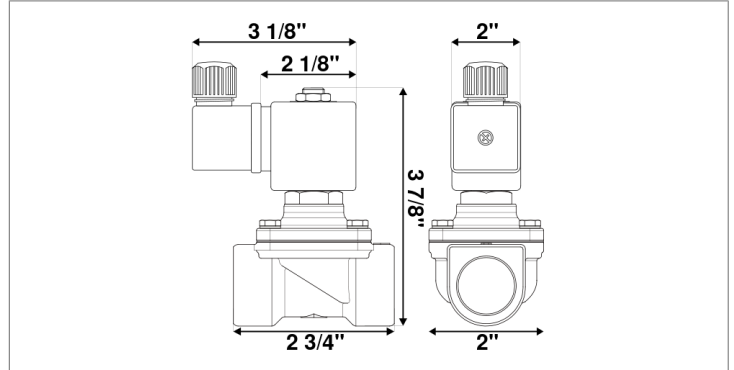


H4H29-00Y





Series H, normally closed, direct lift, 2-way solenoid valve with brass body and 1/2" connections



| Valve | |
|----------------------|---|
| Pipe size: | 1/2" NPT |
| Operating pressure: | 0–200 psi |
| Flow coefficient: | 2.8 Cv |
| Media temperature: | 15–195 °F |
| Ambient temperature: | -5–140 °F |
| Suggested usage: | Air, inert gas, water |
| Operation: | 2/2-way, normally closed solenoid valve |
| Mechanism: | Direct lift |
| Manual override: | No |
| Pipe gender: | Female |
| Orifice size: | 5/8" |
| Design pressure: | 230 psi |
| Vacuum rating: | 0.001 Torr (vacuum connected to port 2) |
| Media viscosity: | 12 cSt |

| Materials | |
|---------------|----------------------------------|
| Body: | Brass |
| Seal: | Buna-N/polyamide rubber (NBR/PA) |
| Orifice: | Brass |
| Core tube: | Stainless steel 300 |
| Fixed core: | Stainless steel 400 |
| Plunger: | Stainless steel 400 |
| Spring: | Stainless steel 300 |
| Shading ring: | Copper |

| Electrical | |
|----------------------|----------------------|
| Power: | 24 V dc |
| Wattage: | 14 W |
| Connection: | Cable gland (6–8 mm) |
| Supply tolerance: | 22.8–26.4 V |
| Coil inner diameter: | 1/2" |
| Coil molding: | Polyethylene (PET) |
| Coil rating: | -5–355 °F (Class H) |
| Duty cycle: | Continuous, 100% ED |
| Enclosure: | NEMA 4, IP65 |

| Accessories | | | |
|--|---|--|---|
| REPAIR KIT | CORE TUBE | COIL /CONNECTOR | BRACKET MOUNT |
| RK-H0Y2 | AT-H091 | C-H29 | VB-H |
|  |  |  |  |
| <ul style="list-style-type: none"> O-ring Plunger and diaphragm assembly | <ul style="list-style-type: none"> Core tube | <ul style="list-style-type: none"> 24 V dc electrical coil Cable gland connector | <ul style="list-style-type: none"> Mounting bracket Stainless steel |

See this part online:



[H4H29-00Y](#)

granzow.com