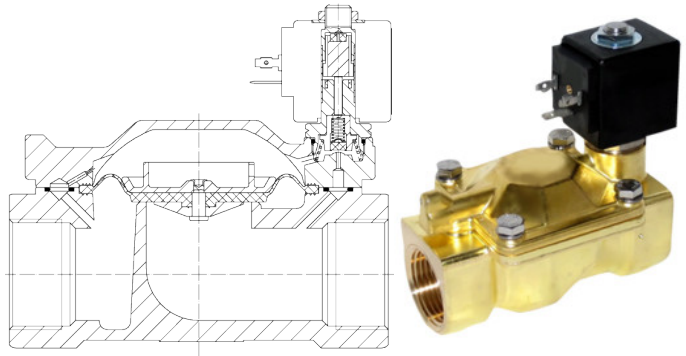


### Model # W5000-0Z0

2-way, internally piloted, normally open solenoid valve



<b>3/4"</b> Pipe Size (Inch)	<b>3/4"</b> Orifice Size (Inch)	<b>9.80</b> Flow Factor (CV)	<b>8 watts</b> Wattage (W)	<b>2–230 psi</b> Pressure Range (PSI)
<b>NBR</b> Sealing Material	<b>14°–195° F</b> Temperature Range	<b>Air, Inert gas, Water</b> Medium Examples		

#### Materials of Construction

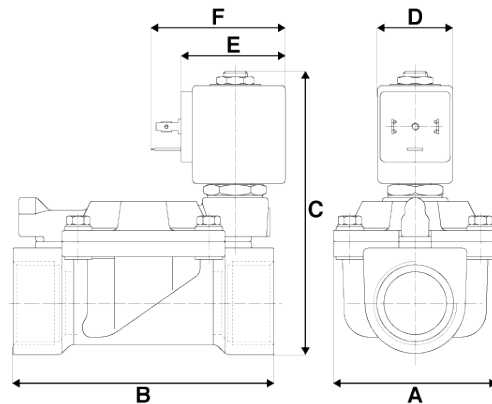
Body:	<b>Brass</b>
Armature Tube:	<b>Stainless Steel 300</b>
Fixed Core:	<b>Stainless Steel 400</b>
Plunger:	<b>Stainless Steel 400</b>
Spring:	<b>Stainless Steel 300</b>
Shading Ring:	<b>Copper</b>
Orifice:	<b>Brass</b>
Pipe Threading:	<b>NPT</b>

#### Spare Part Numbers

Armature Tube:	<b>AT-FZ01</b>
Repair Kit:	<b>RK-WZ02</b>

#### Valve Dimensions

Valve Width (A):	<b>2 9/16"</b>
Valve Length (B):	<b>4 3/32"</b>
Valve Height (C):	<b>4 1/8"</b>
Coil Width (D):	<b>1 3/16"</b>
Coil Length (E):	<b>1 21/32"</b>
Coil Length (F):	<b>2 1/8"</b>



**Note:** Valve is pictured above with a sample coil for illustrative purposes, but coil is not included with this particular part number.