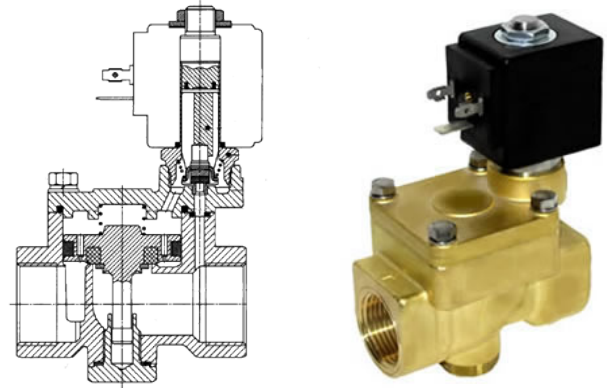


Model # 21YN6K0T250YW

2-way, normally closed, brass body solenoid valve, for hot water/steam service



1" Pipe Size (Inch)	1" Orifice Size (Inch)	11.00 Flow Factor (CV)	8 Watt Rating (W)	13 Min. Pressure (PSI)	150/150 Max. Pressure (AC/DC)
PTFE Sealing Material	-40° - 360° F Temperature Range	Hot water, Steam* Medium Examples			

*Minimum fluid temperature of 140° F is recommended for optimal sealing.

Materials of Construction

Body:	Brass
Armature Tube:	Stainless Steel 300
Fixed Core:	Stainless Steel 400
Plunger:	Stainless Steel 400
Spring:	Stainless Steel 300
Shading Ring:	Copper
Orifice:	Brass

Valve Dimensions

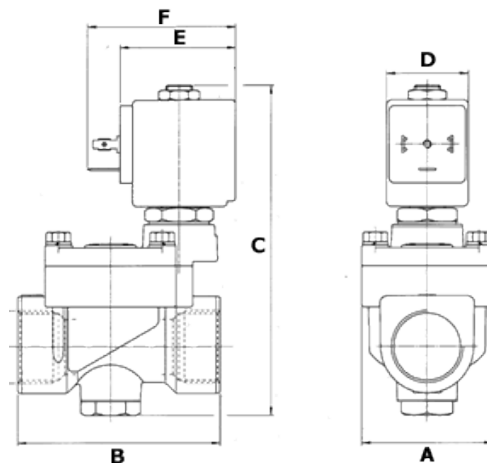
Valve Width(A):	2 7/16"
Valve Length(B):	3 11/16"
Valve Height(C):	5 1/8"
Coil Width(D):	1 3/16"
Coil Length(E):	1 21/32"
Coil Length(F):	2 1/8"

Electrical Connection

Rating:	NEMA 4
Strain Relief Connector:	Model 009
1/2" Conduit Connector:	Model 010
6 ft. Power Cord:	Model GRN100
Inrush VA:	25
Holding VA:	14.0

Spare Parts

Kit:	KTPYW6K0T25
------	--------------------



Note: Valve is pictured above with a sample coil, which may or may not reflect the exact specifications of this particular build.