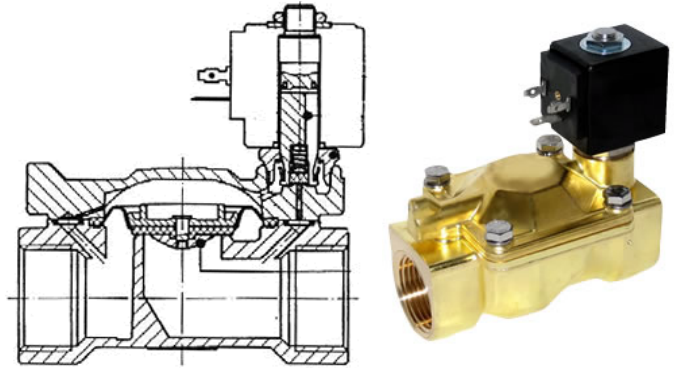


Model # 21WN7ZB350

2-way, internally piloted, normally open solenoid valve



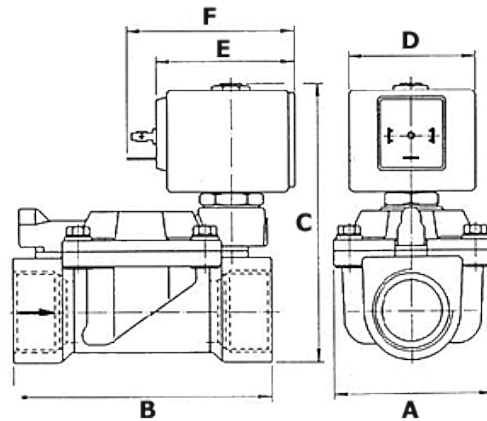
1 1/4" Pipe Size (Inch)	1 3/8" Orifice Size (Inch)	28.00 Flow Factor (CV)	8 Watt Rating (W)	2 Min. Pressure (PSI)	150/150 Max. Pressure (AC/DC)
NBR Sealing Material	14°- 195° F Temperature Range	Air, Inert gas, Water Medium Examples			

Materials of Construction	
Body:	Brass
Armature Tube:	Stainless Steel 300
Fixed Core:	Stainless Steel 400
Plunger:	Stainless Steel 400
Spring:	Stainless Steel 300
Shading Ring:	Copper
Orifice:	Brass

Valve Dimensions	
Valve Width(A):	3 7/8"
Valve Length(B):	5 21/32"
Valve Height(C):	4 15/16"
Coil Width(D):	1 3/16"
Coil Length(E):	1 21/32"
Coil Length(F):	2 1/8"

Electrical Connection	
Rating:	NEMA 4
Strain Relief Connector:	Model 009
1/2" Conduit Connector:	Model 010
6 ft. Power Cord:	Model GRN100
Inrush VA:	25
Holding VA:	14.0

Spare Parts	
Kit:	KTGOW5ZB35



Note: Valve is pictured above with a sample coil, which may or may not reflect the exact specifications of this particular build.