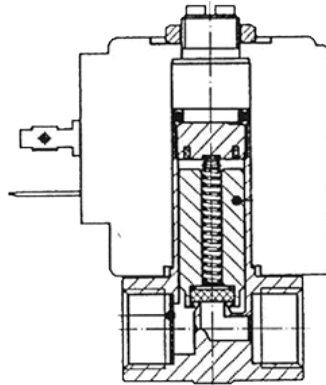


Model # 21T2BB40

2-way, direct acting, normally closed solenoid valve



1/4" Pipe Size (Inch)	5/32" Orifice Size (Inch)	0.35 Flow Factor (CV)	8 Watt Rating (W)	0 Min. Pressure (PSI)	85/30 Max. Pressure (AC/DC)
NBR Sealing Material	14°- 195° F Temperature Range	Air, Inert gas, Water Medium Examples			

Materials of Construction

Body:	Brass
Armature Tube:	Brass
Fixed Core:	Stainless Steel 400
Plunger:	Stainless Steel 400
Spring:	Stainless Steel 300
Shading Ring:	Copper
Orifice:	Brass

Valve Dimensions

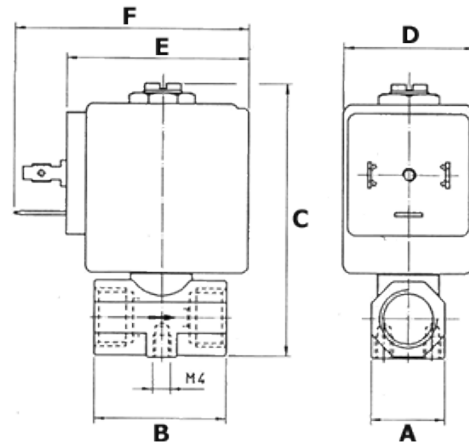
Valve Width(A):	11/16"
Valve Length(B):	1 3/16"
Valve Height(C):	2 7/16"
Coil Width(D):	1 3/16"
Coil Length(E):	1 21/32"
Coil Length(F):	2 1/8"

Electrical Connection

Rating:	NEMA 4
Strain Relief Connector:	Model 009
1/2" Conduit Connector:	Model 010
6 ft. Power Cord:	Model GRN100
Inrush VA:	25
Holding VA:	14.0

Spare Parts

Kit:	Not Available
------	----------------------



Note: Valve is pictured above with a sample coil, which may or may not reflect the exact specifications of this particular build.