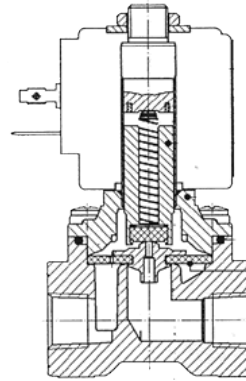


### Model # 21EN3K0B105

2-way, internally piloted, normally closed solenoid valve



<b>3/8"</b> Pipe Size (Inch)	<b>7/16"</b> Orifice Size (Inch)	<b>1.70</b> Flow Factor (CV)	<b>12</b> Watt Rating (W)	<b>2</b> Min. Pressure (PSI)	<b>300/300</b> Max. Pressure (AC/DC)
<b>NBR</b> Sealing Material	<b>14° - 195° F</b> Temperature Range	<b>Air, Inert gas, Water</b> Medium Examples			

#### Materials of Construction

Body:	<b>Brass</b>
Armature Tube:	<b>Stainless Steel 300</b>
Fixed Core:	<b>Stainless Steel 400</b>
Plunger:	<b>Stainless Steel 400</b>
Spring:	<b>Stainless Steel 300</b>
Shading Ring:	<b>Copper</b>
Orifice:	<b>Brass</b>

#### Valve Dimensions

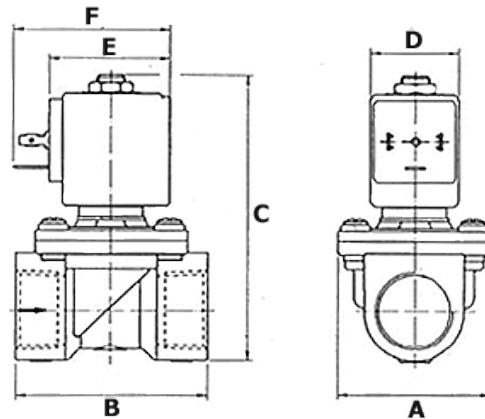
Valve Width(A):	<b>1 9/16"</b>
Valve Length(B):	<b>2"</b>
Valve Height(C):	<b>3 9/16"</b>
Coil Width(D):	<b>1 7/16"</b>
Coil Length(E):	<b>1 29/32"</b>
Coil Length(F):	<b>2 3/8"</b>

#### Electrical Connection

Rating:	<b>NEMA 4</b>
Strain Relief Connector:	<b>Model 009</b>
1/2" Conduit Connector:	<b>Model 010</b>
6 ft. Power Cord:	<b>Model GRN100</b>
Inrush VA:	<b>36</b>
Holding VA:	<b>23</b>

#### Spare Parts

Kit:	<b>KTGEN2K0B10</b>
------	--------------------



**Note:** Valve is pictured above with a sample coil, which may or may not reflect the exact specifications of this particular build.