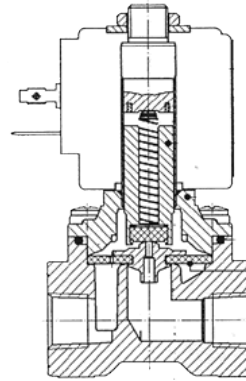


Model # **21EN2K0V105**

2-way, internally piloted, normally closed solenoid valve



1/4" Pipe Size (Inch)	7/16" Orifice Size (Inch)	1.50 Flow Factor (CV)	12 Watt Rating (W)	2 Min. Pressure (PSI)	300/300 Max. Pressure (AC/DC)
FKM Sealing Material	14° - 280° F Temperature Range	Air, Inert gas, Water, Synthetic oils Medium Examples			

Materials of Construction

Body:	Brass
Armature Tube:	Stainless Steel 300
Fixed Core:	Stainless Steel 400
Plunger:	Stainless Steel 400
Spring:	Stainless Steel 300
Shading Ring:	Copper
Orifice:	Brass

Valve Dimensions

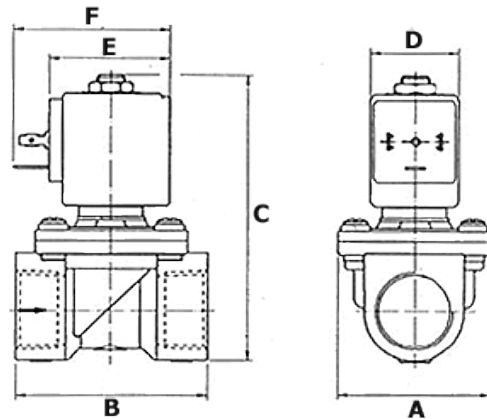
Valve Width(A):	1 9/16"
Valve Length(B):	2"
Valve Height(C):	3 9/16"
Coil Width(D):	1 7/16"
Coil Length(E):	1 29/32"
Coil Length(F):	2 3/8"

Electrical Connection

Rating:	NEMA 4
Strain Relief Connector:	Model 009
1/2" Conduit Connector:	Model 010
6 ft. Power Cord:	Model GRN100
Inrush VA:	36
Holding VA:	23

Spare Parts

Kit:	KTGEN2K0V10
------	--------------------



Note: Valve is pictured above with a sample coil, which may or may not reflect the exact specifications of this particular build.