


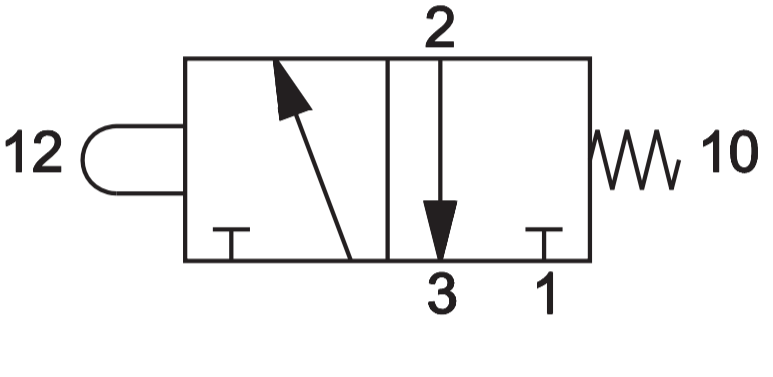

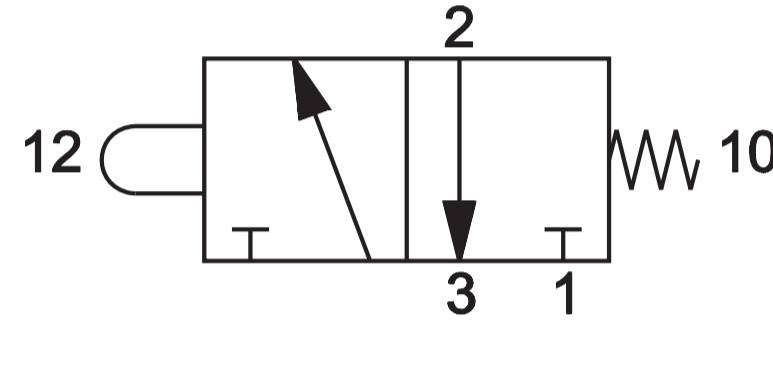
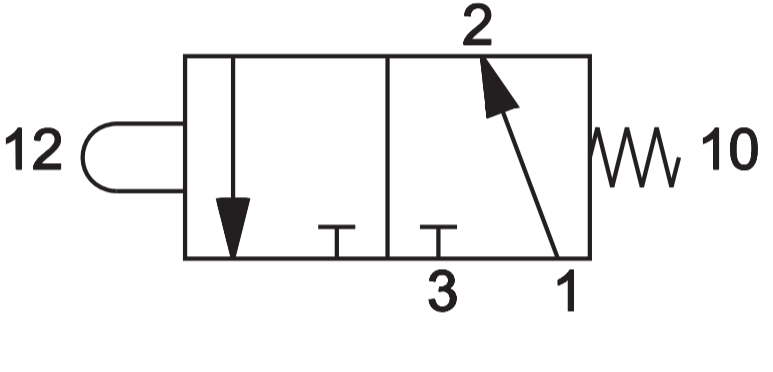
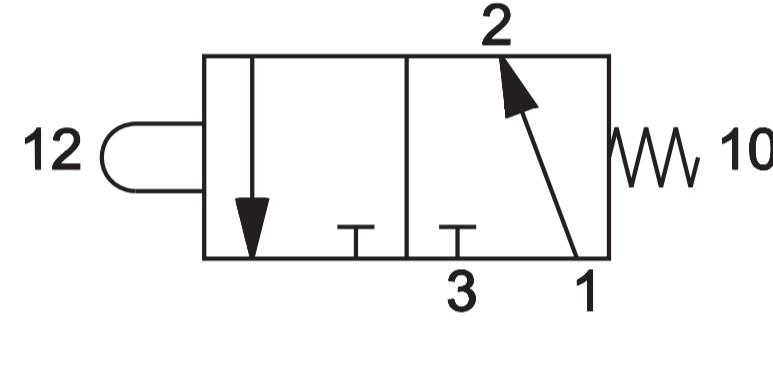
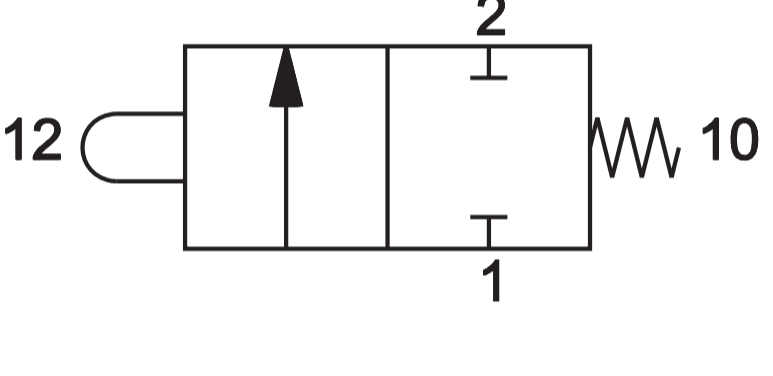
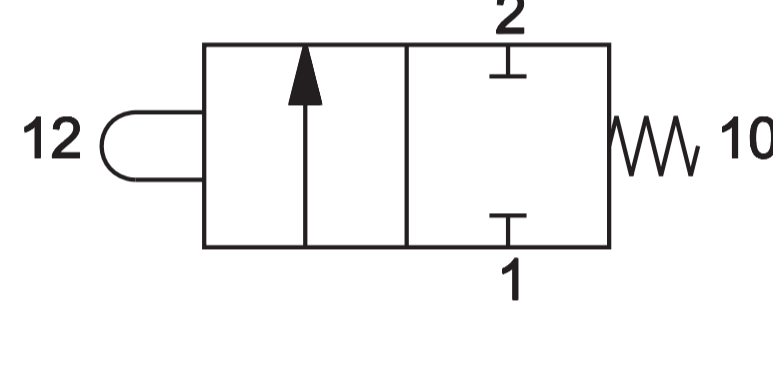
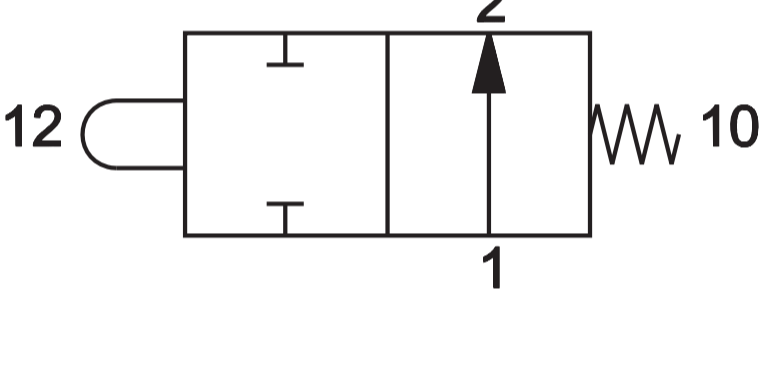
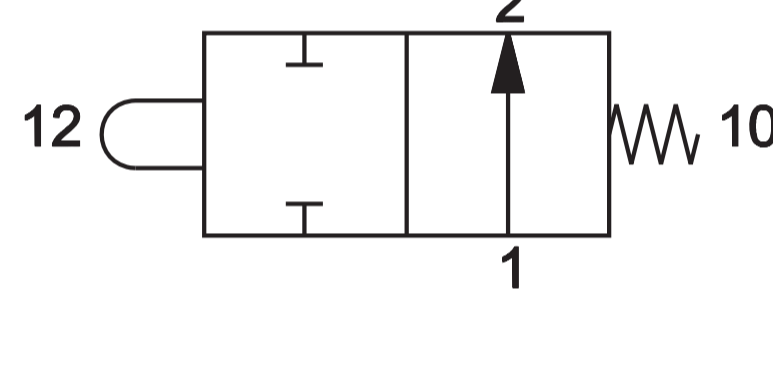
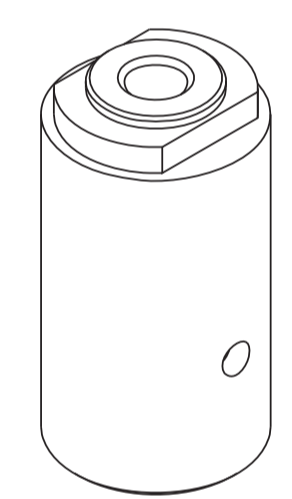
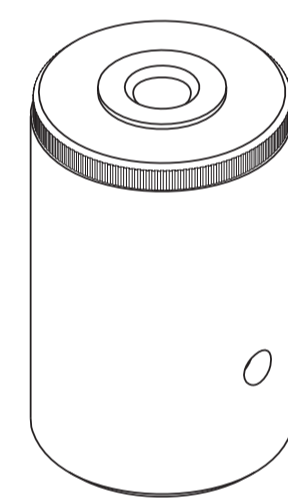
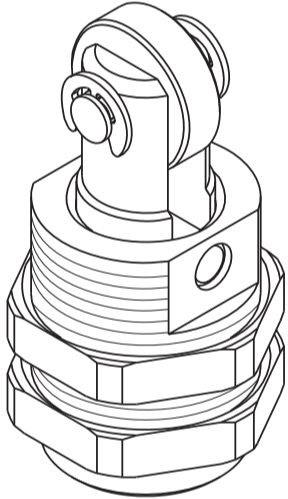
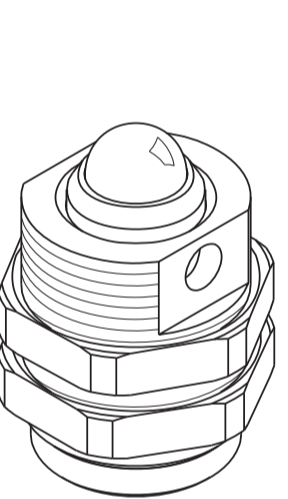
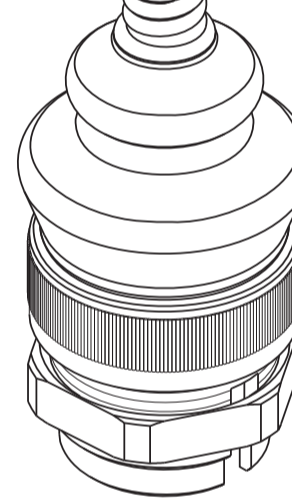
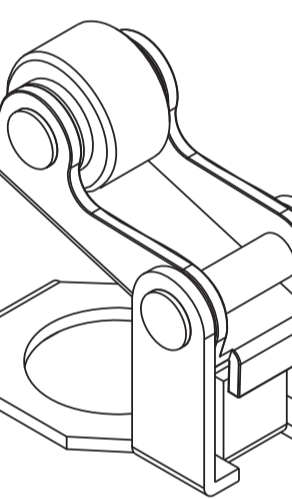
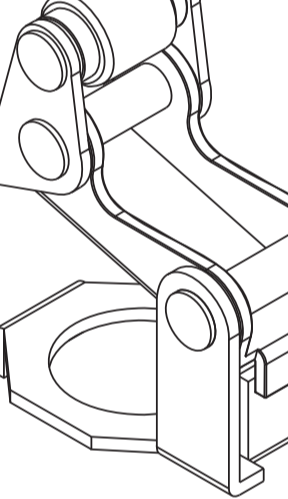
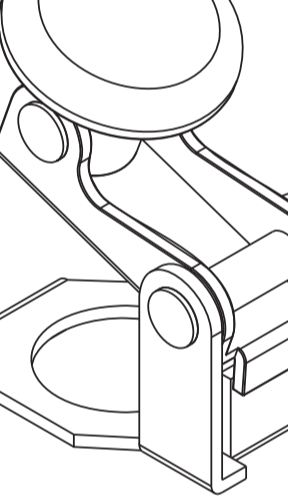
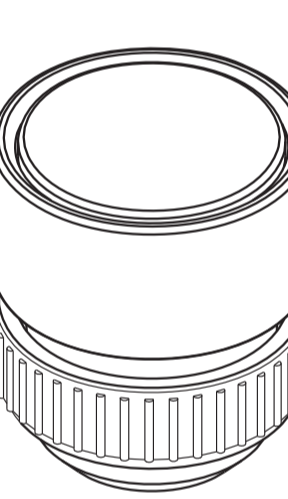
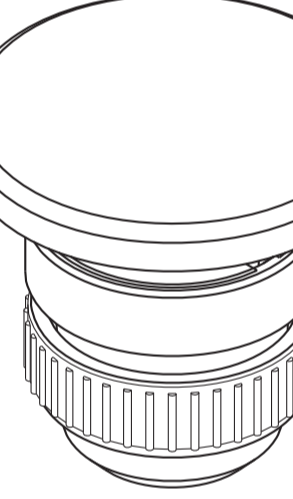
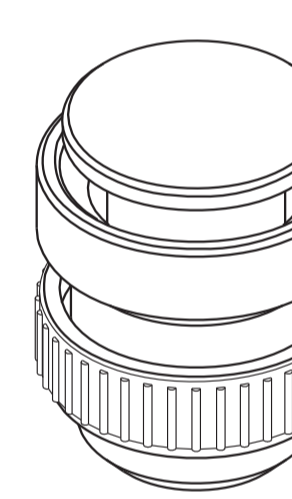
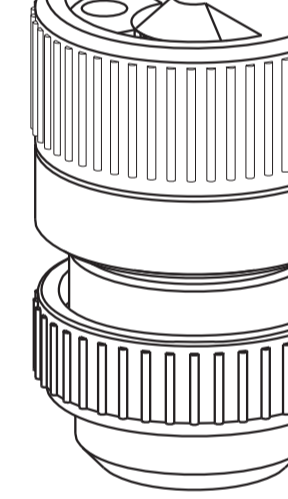
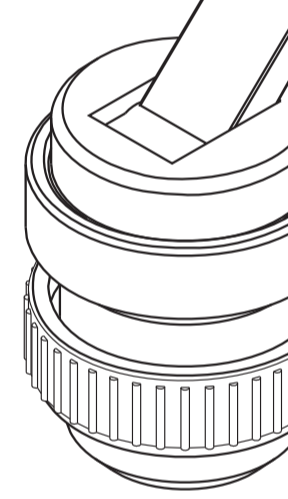
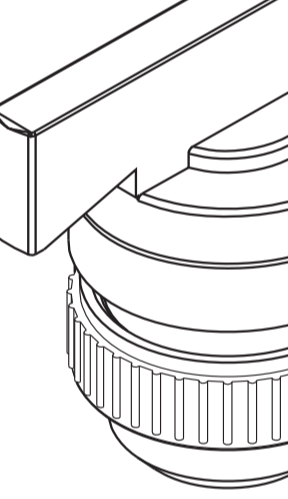
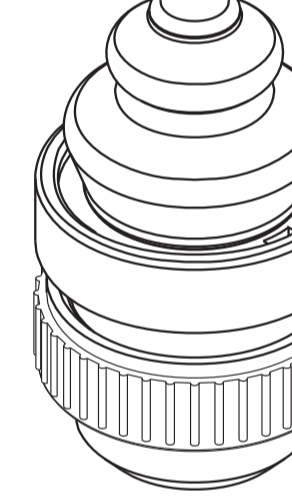
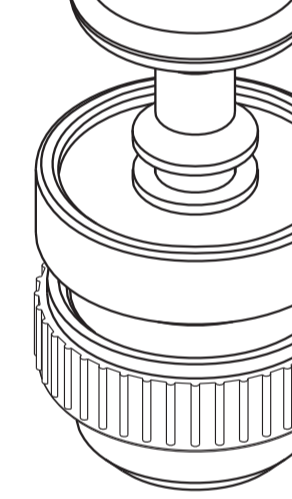
## CHARACTERISTICS

Ambient temperature	-10 ÷ +90 °C	
Fluid	50 µm filtered air, with or without lubrication	
Commutation system	poppet	
Max pressure	10 bar	
Connections	interface for sub-base	
	<b>standard</b>	<b>sensible</b>
Nominal bore (mm)	2,3	1,5
Nominal flow rate (NI/min)	110	55
Force (N)	5	4
Valve body	zamak	
Seals	NBR	
Spool	nickel-plated brass	



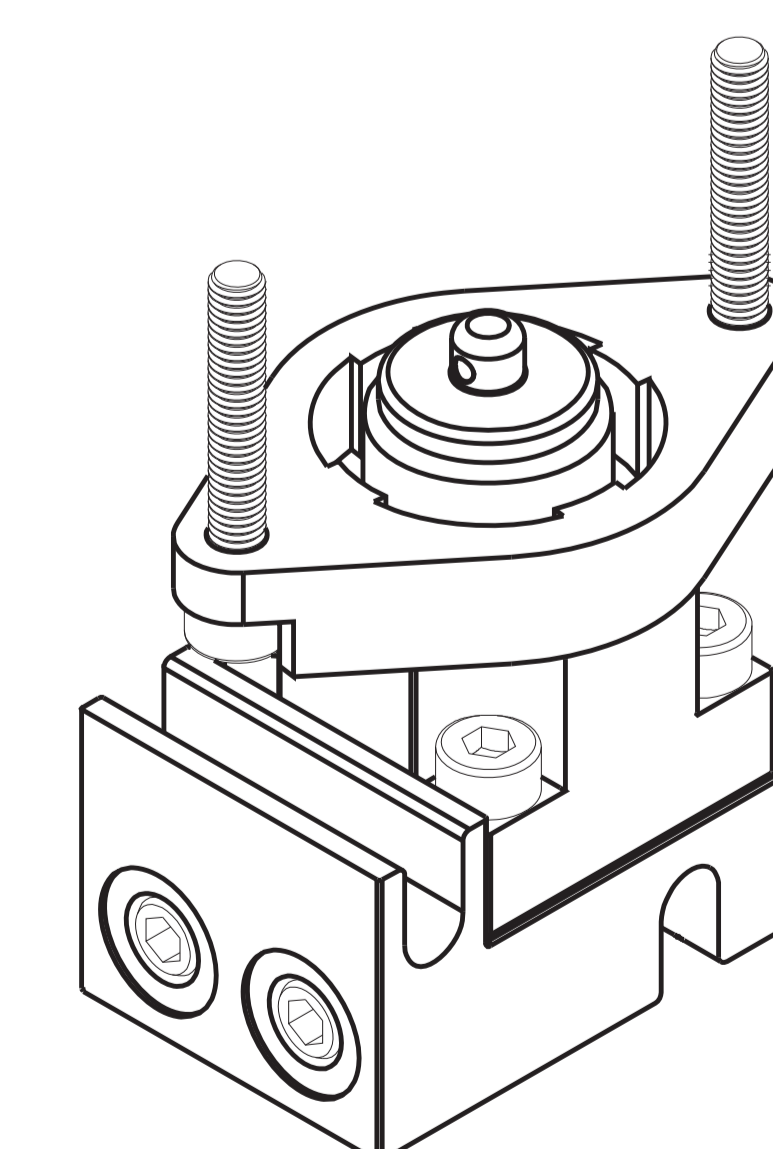
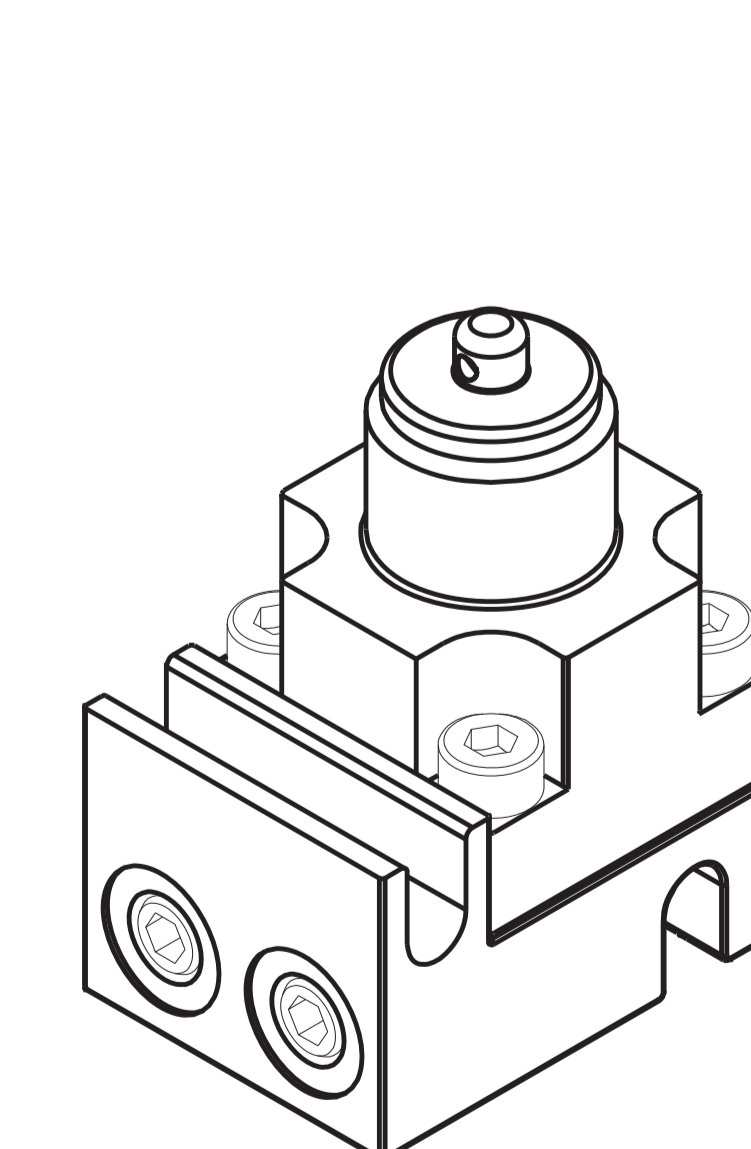
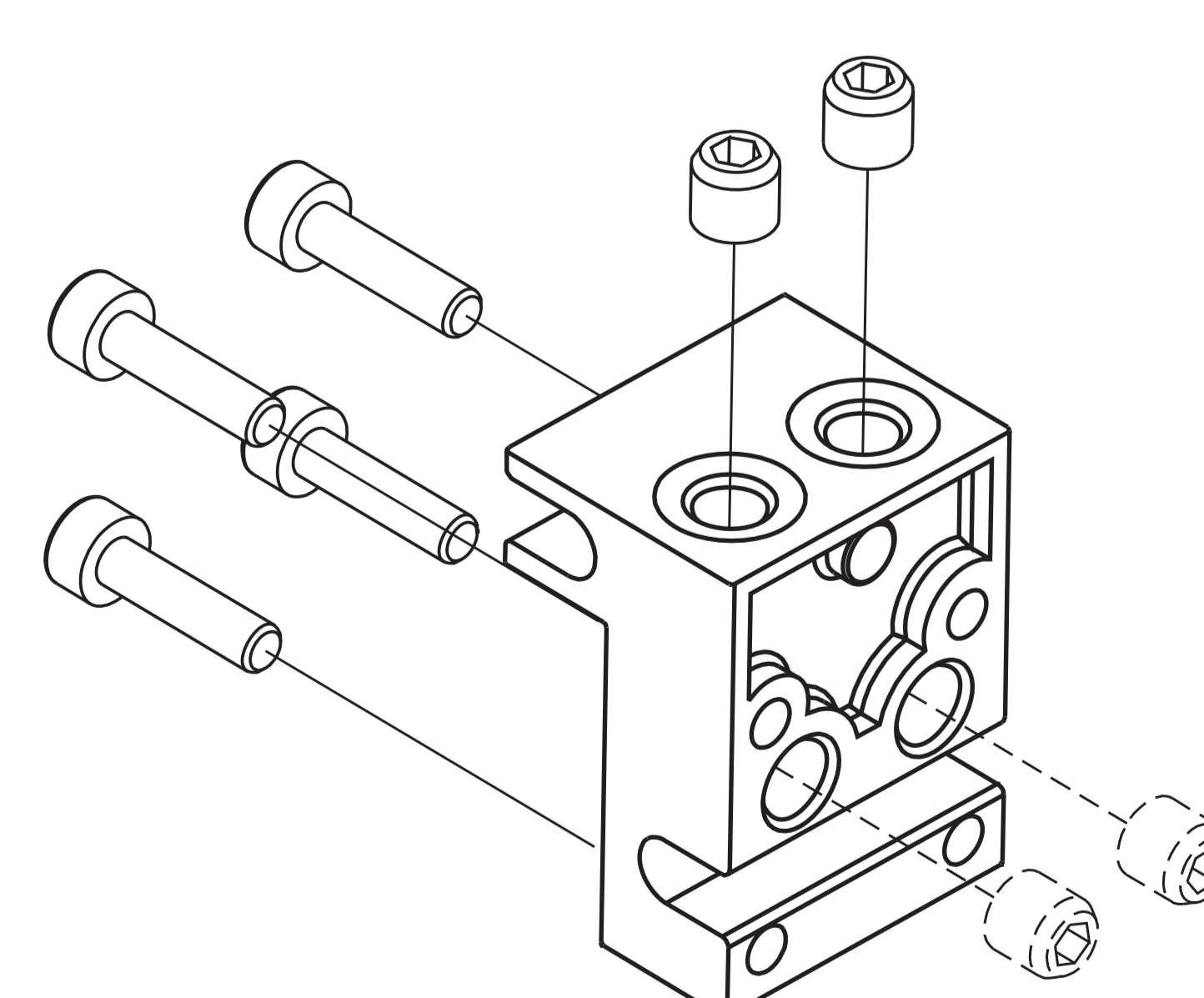
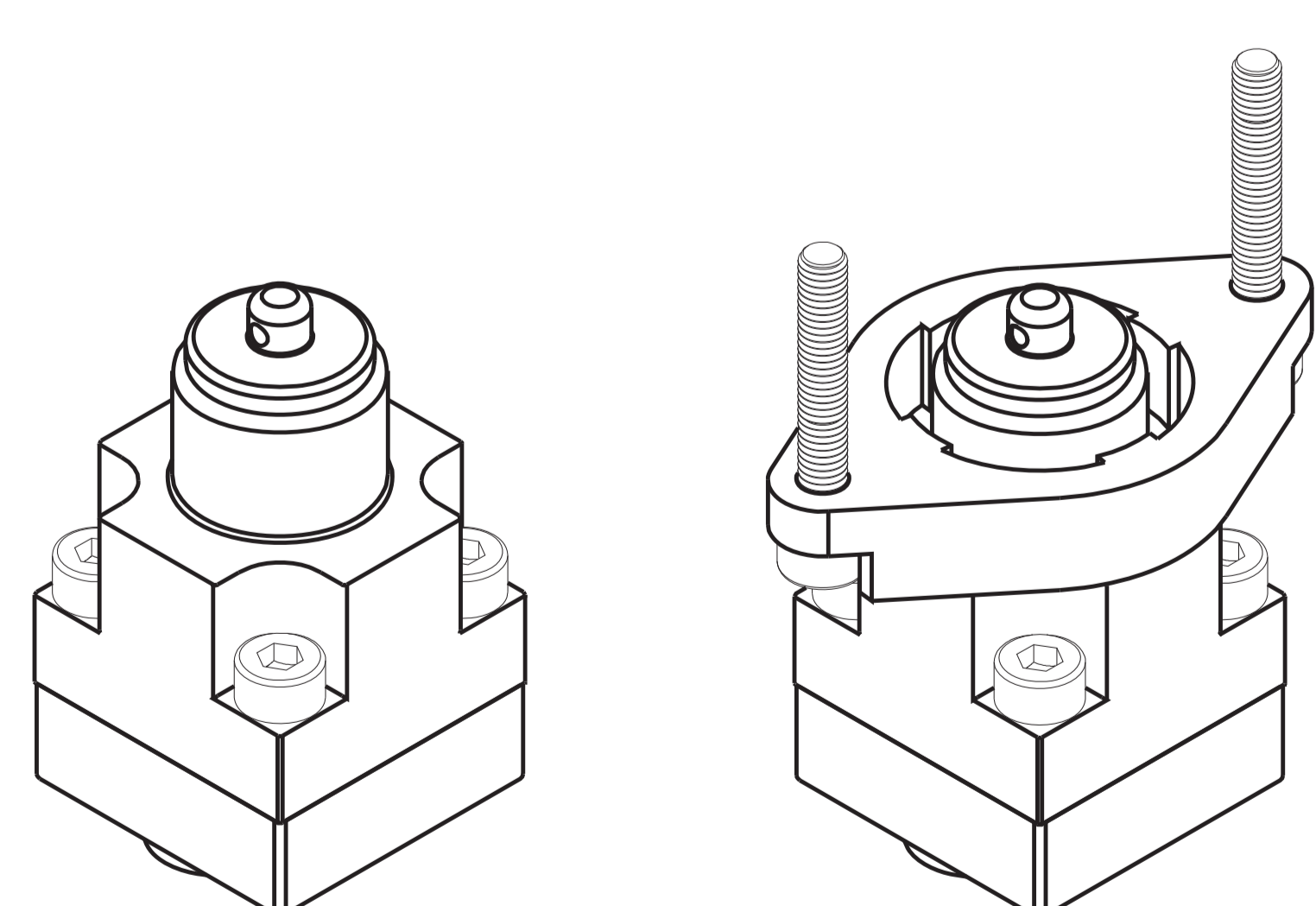
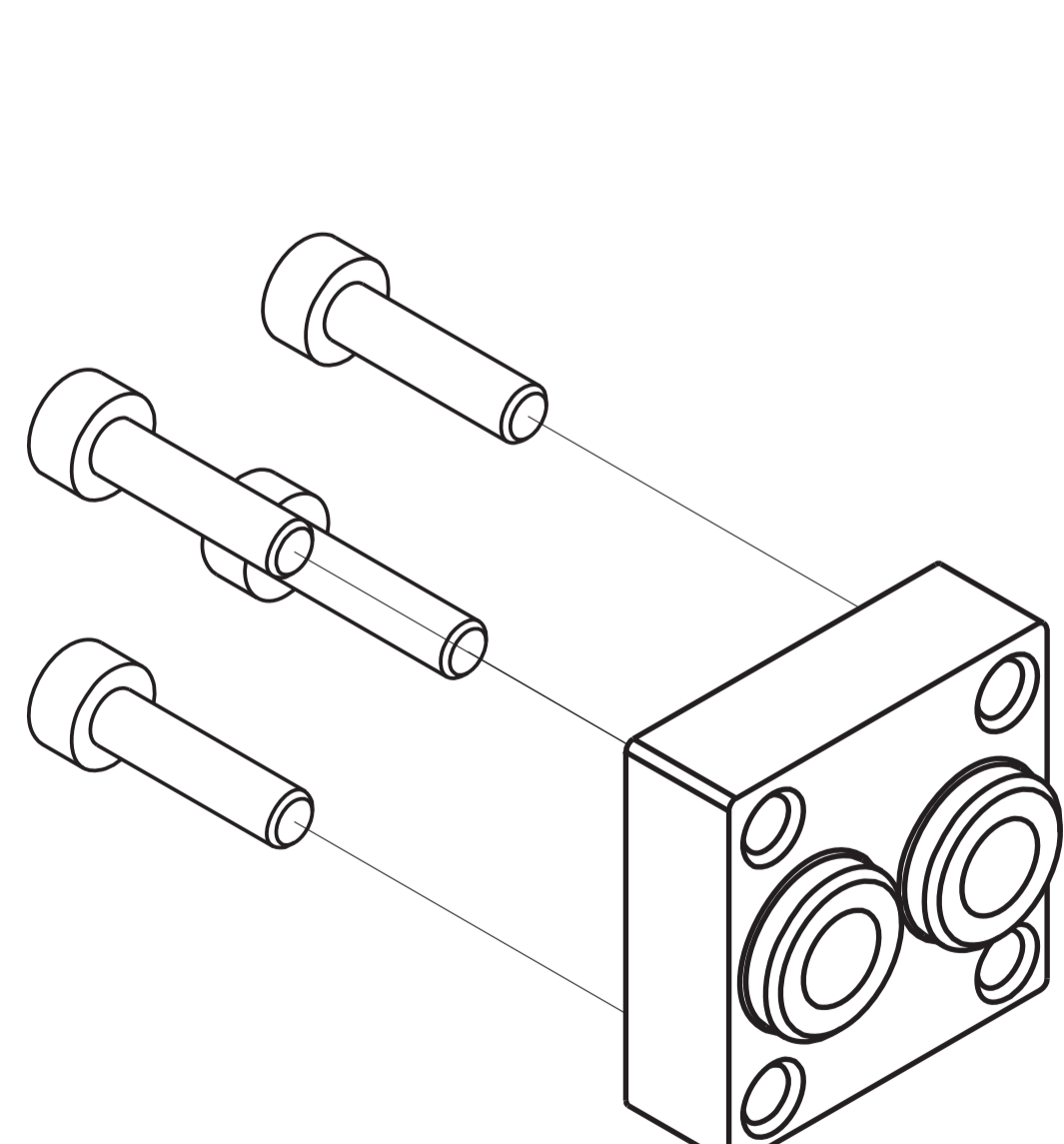
## Mechanical push button - spring

## Mechanical push button for panel operation - spring

		<b>AI-3500</b> standard <b>AI-3500S</b> sensible			<b>AI-3500Q</b> standard <b>AI-3500SQ</b> sensible										
		<b>AI-3501</b> standard <b>AI-3501S</b> sensible			<b>AI-3501Q</b> standard <b>AI-3501SQ</b> sensible										
		<b>AI-3502</b> standard			<b>AI-3502Q</b> standard										
		<b>AI-3503</b> 2/2 NO Available upon request			<b>AI-3503Q</b> 2/2 NO Available upon request										
															
<b>AI-3550</b>	<b>AI-3551</b>	<b>AI-3560</b>	<b>AI-3562</b>	<b>AI-3563</b>	<b>AI-3570</b>	<b>AI-3571</b>	<b>AI-3572</b>	<b>AI-3511Q</b>	<b>AI-3514Q</b>	<b>AI-3515Q</b>	<b>AI-3520Q</b>	<b>AI-3524Q</b>	<b>AI-3522Q</b>	<b>AI-3525Q</b>	<b>AI-3526Q</b>
<b>AI-3512Q</b>	<b>AI-3516Q</b>	<b>AI-3517Q</b>	<b>AI-3521Q</b>	<b>AI-3513Q</b>	<b>AI-3514QD</b>	<b>AI-3519Q</b>	<b>AI-3516QD</b>								
<b>AI-3511</b>	<b>AI-3514</b>	<b>AI-3515</b>	<b>AI-3520</b>	<b>AI-3522</b>	<b>AI-3524</b>	<b>AI-3525</b>	<b>AI-3526</b>								
<b>AI-3512</b>	<b>AI-3516</b>	<b>AI-3517</b>	<b>AI-3521</b>	<b>AI-3523</b>											
<b>AI-3513</b>	<b>AI-3514D</b>	<b>AI-3519</b>													
	<b>AI-3516D</b>														

## AI-3610

## AI-3612



Sub-base with bottom connections M5

Sub-base with side or bottom connections M5

Sub-bases are supplied with M3x12 fixing screws (4 pcs) and M5x5 grub screws (2pcs) to close the unused ways.

Grub screws must be fixed with sealing loctite (243 type), being sure that loctite does not obstruct the ports or sink inside the valve. Grub screws must be screwed until reaching the base surface. Avoid screwing them completely.