

Series NAMUR

Univer[®] Valves:

NAMUR Solenoid Valves, 5/2; G¹/₄"

Die-cast zamak

Body

29-145 psi

Working pressure

14-113°F

Ambient temperature



ABOUT UNIVER[®] SERIES NAMUR

The NAMUR series is a new electrovalve, suitable for the control of both single and double-acting pneumatic rotary actuators used in industrial plants for the distribution of the fluids.

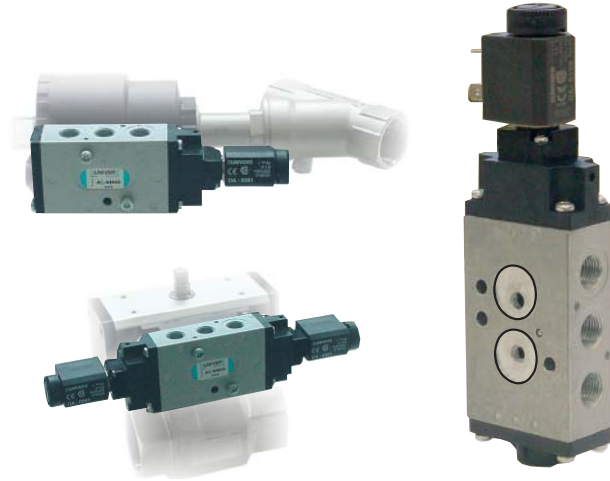
Technical Characteristics	
Body:	Die-cast zamak
Working pressure:	29-145 psi
Ambient temperature:	14-113°F
Fluid:	Filtered air 50µm
Fluid temperature:	14-122°F
Nominal diameter:	8 mm G ¹ / ₄ "
Rated capacity:	1200 NI/min.
Switching system:	Mixed
Response time:	5-30 m/s
Coils:	Series DA (U1), Series DC (U3)

For more information about our complete product line of Univer[®] Valves, visit our web site at:
<http://www.granzow.com/univer/valves/>

Electrovalve 3/2 - 5/2 according to NAMUR specifications

Electrovalve suitable for the control of single- and double-acting pneumatic rotary actuators used in industrial plants for the distribution of the fluids.

- Body: die-cast Zamak
- Working pressure: 2÷10 bar
- Ambient temperature: -10 + 45°C
- Fluid: filtered air 50 µm
- Fluid temperature: -10 + 50°C
- Nominal diameter: 8 mm G ¼
- Rated capacity: 1200 NI/min
- Switching system: mixed
- Response time: 5÷30 m/s
- Coils: DA series (U1) - DC series (U3)



Ordering code

AC-N8100 = 5/2 P/M

AC-N8300 = 3/2 E/M

AC-N8500 = 5/2 E/M

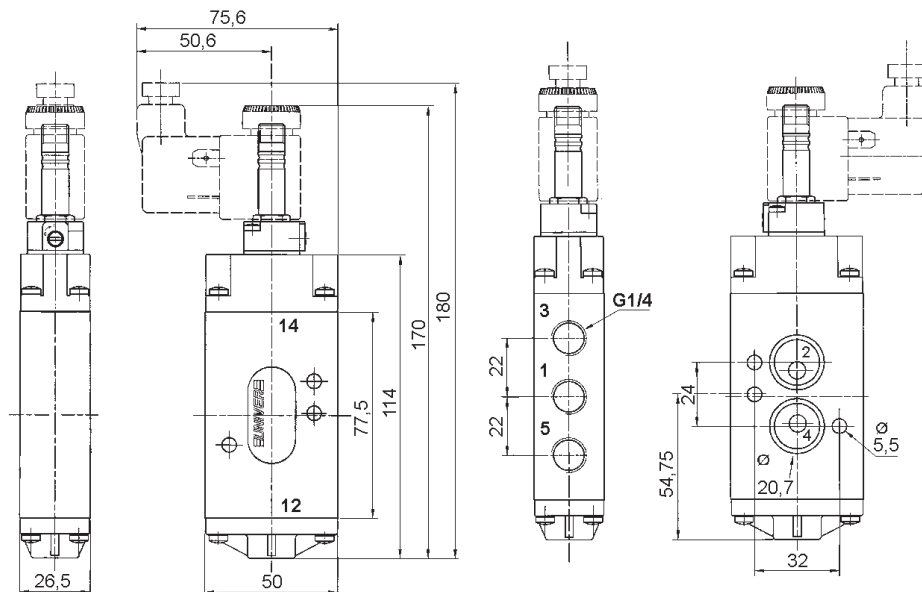
AC-N8120 = 5/2 P/P

AC-N8320 = 3/2 E/E

AC-N8520 = 5/2 E/E

Legenda/Legend/Legende/Légende

E = Electric
M = Pneu-mechanical spring
P = Pneumatic



Legend

- 1 = Supply
- 2-4 = Consumption
- 3-5 = Exhausts
- 12 = Return
- 14 = Control

Upon request:
Components suitable for use in ambients
with risk of explosion.
Group II Zone 2G and 22D

