

Series PAMX-NO

Normally Open, 316 Stainless Steel,
Air-Actuated Valve Series

1/2"-2"

NPT Connection

1/2"-2"

Orifice Size

0-230 psi

Operating Pressure



Technical Specifications

Media Temperature:	14-360°F
Ambient Temperature:	14-140°F
Body Material:	Stainless steel AISI 316L
Seal Material:	PTFE
Pilot Media:	Air, Inert Gases, Water
Optical Position Indicator:	Standard
Anti-Waterhammer:	Standard

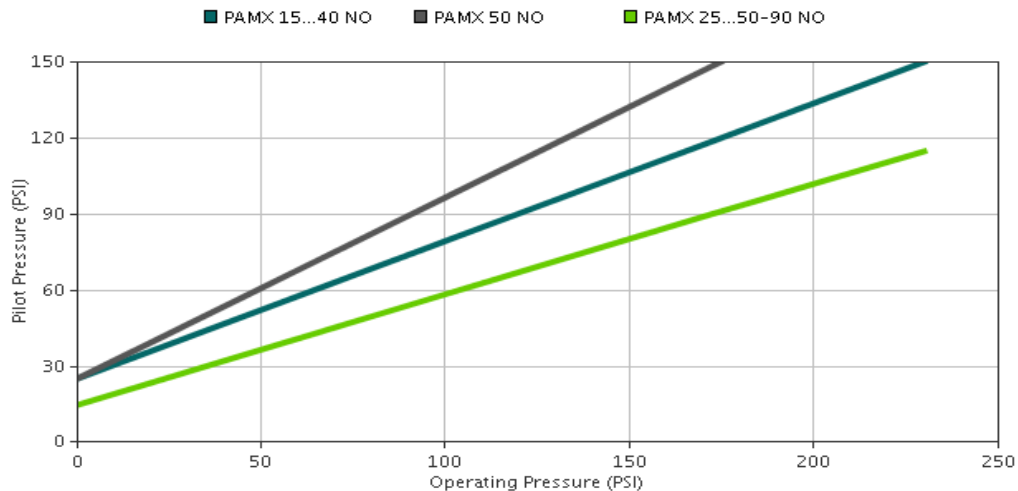
Note: Actuator housing 360° rotation.

Additional Information

Flow Type:	Normally Open
Flow Direction:	Under Seat (2→1)
Medium Examples:	Water, Oil, Air, Steam, Aggressive Media*

*Working pressure with steam is 150 psi maximum.

Pressure Chart of Series PAMX-NO

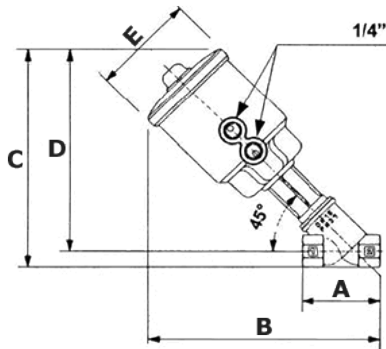


AVAILABLE VALVE MODELS

Model #	NPT	Orifice	Flow Rate (CV)	Operating Pressure (PSI)		Flow Direction	Pilot Pressure (PSI)		Actuator Diameter
				Min	Max		Min	Max	
PAMX 15 NO	½"	½"	4.8	0	230	2→1	25	150	2 ½"
PAMX 20 NO	¾"	¾"	9.0	0	230	2→1	25	150	2 ½"
PAMX 25 NO	1"	1"	21.4	0	230	2→1	25	150	2 ½"
PAMX 32 NO	1 ¼"	1 ¼"	31.0	0	230	2→1	25	150	2 ½"
PAMX 40 NO	1 ½"	1 ½"	48.3	0	230	2→1	25	150	2 ½"
PAMX 50 NO	2"	2"	59.3	0	175	2→1	25	150	2 ½"
PAMX 25-90 NO	1"	1"	21.4	0	230	2→1	15	115	3 ½"
PAMX 32-90 NO	1 ¼"	1 ¼"	31.0	0	230	2→1	15	115	3 ½"
PAMX 40-90 NO	1 ½"	1 ½"	48.3	0	230	2→1	15	115	3 ½"
PAMX 50-90 NO	2"	2"	59.3	0	230	2→1	15	115	3 ½"

VALVE MODEL DIMENSIONS

Model #	Width (A)	Width (B)	Height (C)	Height (D)	Width (E)	Weight
PAMX 15 NO	2-9/16"	7-9/16"	7-5/16"	6-3/4"	3-11/32"	2.64 lbs.
PAMX 20 NO	2-15/16"	7-13/16"	7-9/16"	6-7/8"	3-11/32"	2.86 lbs.
PAMX 25 NO	3-9/16"	8-11/32"	8-3/32"	7-11/32"	3-11/32"	3.30 lbs.
PAMX 32 NO	4-11/32"	8-13/16"	8-17/32"	7-19/32"	3-11/32"	4.18 lbs.
PAMX 40 NO	4-23/32"	9-1/16"	8-13/16"	7-13/16"	3-11/32"	4.62 lbs.
PAMX 50 NO	5-29/32"	9-3/4"	9-1/2"	8-5/32"	3-11/32"	6.38 lbs.
PAMX 25-90 NO	3-9/16"	8-11/32"	8-3/32"	7-11/32"	4-13/32"	4.40 lbs.
PAMX 32-90 NO	4-11/32"	9-1/4"	9-12/32"	7-15/32"	4-13/32"	5.28 lbs.
PAMX 40-90 NO	4-23/32"	9-1/2"	9-9/32"	7-11/16"	4-13/32"	5.72 lbs.
PAMX 50-90 NO	5-29/32"	10-1/16"	9-27/32"	8"	4-13/32"	7.26 lbs.



For more information,
visit our web site at
www.granzow.com