

Series PABR-NO

Normally Open, Bronze, Air-Actuated Valve Series

1/2"-2"
NPT Connection

1/2"-2"
Orifice Size

0-230 psi
Operating Pressure



Technical Specifications

| | |
|-----------------------------|--------------------------------|
| Media Temperature: | 14-360°F |
| Ambient Temperature: | 14-140°F |
| Body Material: | Bronze |
| Seal Material: | PTFE |
| Pilot Media: | Air, Inert Gases, Water |
| Optical Position Indicator: | Standard |
| Anti-Waterhammer: | Standard |

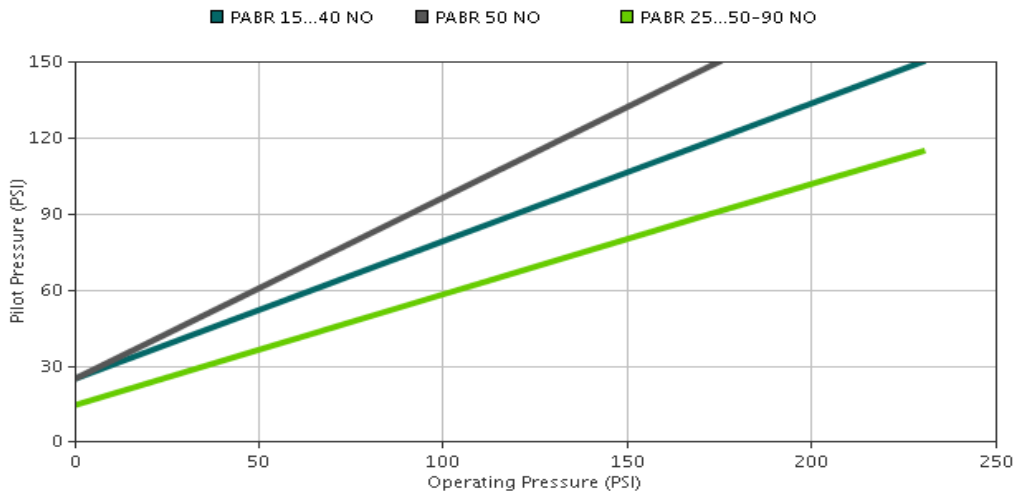
Note: Actuator housing 360° rotation.

Additional Information

| | |
|------------------|--|
| Flow Type: | Normally Open |
| Flow Direction: | Under Seat (2→1) |
| Medium Examples: | Water, Oil, Air, Steam, Aggressive Media* |

*Working pressure with steam is 150 psi maximum.

Pressure Chart of Series PABR-NO

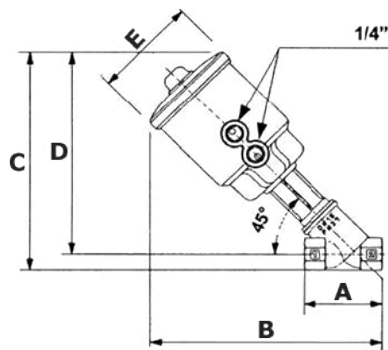


AVAILABLE VALVE MODELS

| Model # | NPT | Orifice | Flow Rate (CV) | Operating Pressure (PSI) | | Flow Direction | Pilot Pressure (PSI) | | Actuator Diameter |
|---------------|------|---------|----------------|--------------------------|-----|----------------|----------------------|-----|-------------------|
| | | | | Min | Max | | Min | Max | |
| PABR 15 NO | ½" | ½" | 4.6 | 0 | 230 | 2→1 | 25 | 150 | 2 ½" |
| PABR 20 NO | ¾" | ¾" | 8.6 | 0 | 230 | 2→1 | 25 | 150 | 2 ½" |
| PABR 25 NO | 1" | 1" | 19.3 | 0 | 230 | 2→1 | 25 | 150 | 2 ½" |
| PABR 32 NO | 1 ¼" | 1 ¼" | 29.0 | 0 | 230 | 2→1 | 25 | 150 | 2 ½" |
| PABR 40 NO | 1 ½" | 1 ½" | 44.8 | 0 | 230 | 2→1 | 25 | 150 | 2 ½" |
| PABR 50 NO | 2" | 2" | 56.9 | 0 | 175 | 2→1 | 25 | 150 | 2 ½" |
| PABR 25-90 NO | 1" | 1" | 19.3 | 0 | 230 | 2→1 | 15 | 115 | 3 ½" |
| PABR 32-90 NO | 1 ¼" | 1 ¼" | 29.0 | 0 | 230 | 2→1 | 15 | 115 | 3 ½" |
| PABR 40-90 NO | 1 ½" | 1 ½" | 44.8 | 0 | 230 | 2→1 | 15 | 115 | 3 ½" |
| PABR 50-90 NO | 2" | 2" | 56.9 | 0 | 230 | 2→1 | 15 | 115 | 3 ½" |

VALVE MODEL DIMENSIONS

| Model # | Width (A) | Width (B) | Height (C) | Height (D) | Width (E) | Weight |
|---------------|-----------|-----------|------------|------------|-----------|-----------|
| PABR 15 NO | 2-9/16" | 7-9/16" | 7-5/16" | 6-3/4" | 3-11/32" | 2.64 lbs. |
| PABR 20 NO | 2-15/16" | 7-13/16" | 7-9/16" | 6-7/8" | 3-11/32" | 2.86 lbs. |
| PABR 25 NO | 3-9/16" | 8-11/32" | 8-3/32" | 7-11/32" | 3-11/32" | 3.30 lbs. |
| PABR 32 NO | 4-11/32" | 8-13/16" | 8-17/32" | 7-19/32" | 3-11/32" | 4.18 lbs. |
| PABR 40 NO | 4-23/32" | 9-1/16" | 8-13/16" | 7-13/16" | 3-11/32" | 4.62 lbs. |
| PABR 50 NO | 5-29/32" | 9-3/4" | 9-1/2" | 8-5/32" | 3-11/32" | 6.38 lbs. |
| PABR 25-90 NO | 3-9/16" | 8-11/32" | 8-3/32" | 7-11/32" | 4-13/32" | 4.40 lbs. |
| PABR 32-90 NO | 4-11/32" | 9-1/4" | 9-12/32" | 7-15/32" | 4-13/32" | 5.28 lbs. |
| PABR 40-90 NO | 4-23/32" | 9-1/2" | 9-9/32" | 7-11/16" | 4-13/32" | 5.72 lbs. |
| PABR 50-90 NO | 5-29/32" | 10-1/16" | 9-27/32" | 8" | 4-13/32" | 7.26 lbs. |



For more information,
visit our web site at
www.granzow.com