

### Series PABR-DE

Double Acting, Bronze, Air-Actuated Valve Series

**1/2"-2"**  
NPT Connection

**1/2"-2"**  
Orifice Size

**0-230 psi**  
Operating Pressure



#### Technical Specifications

Media Temperature:	14-360°F
Ambient Temperature:	14-140°F
Body Material:	Bronze
Seal Material:	PTFE
Pilot Media:	Air, Inert Gases, Water
Optical Position Indicator:	Standard
Anti-Waterhammer:	With 2 → 1 Flow

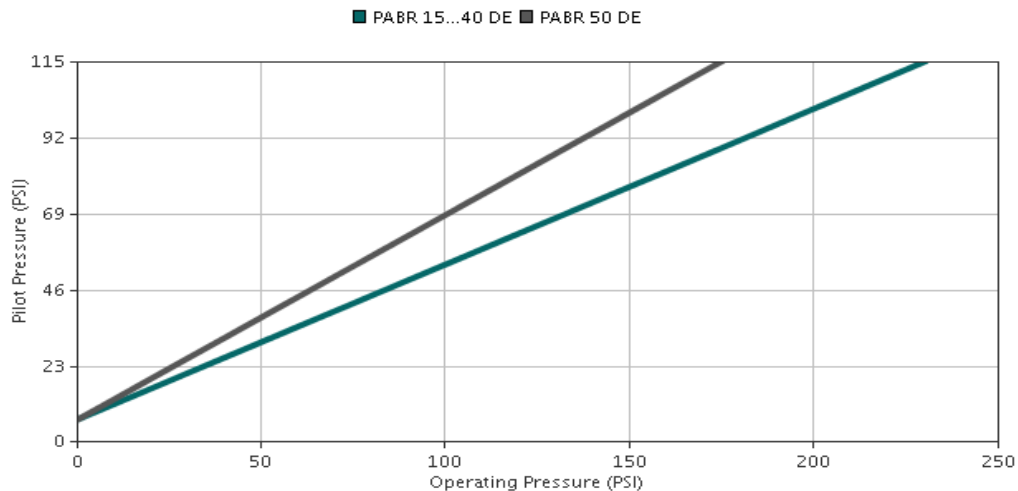
**Note:** Actuator housing 360° rotation.

#### Additional Information

Flow Type:	Double-Acting
Flow Direction:	Bi-Directional
Medium Examples:	Water, Oil, Air, Steam, Aggressive Media*

\*Working pressure with steam is 150 psi maximum.

### Pressure Chart of Series PABR-DE

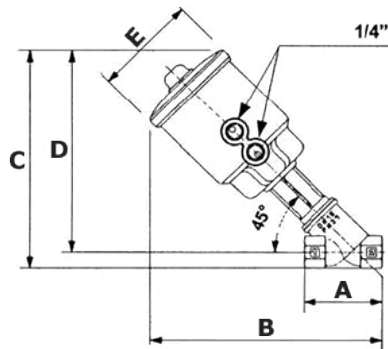


### AVAILABLE VALVE MODELS

Model #	NPT	Orifice	Flow Rate (CV)	Operating Pressure (PSI)		Flow Direction	Pilot Pressure (PSI)		Actuator Diameter
				Min	Max		Min	Max	
PABR 15 DE	½"	½"	4.6	0	230	1↔2	7	115	2 ½"
PABR 20 DE	¾"	¾"	8.6	0	230	1↔2	7	115	2 ½"
PABR 25 DE	1"	1"	19.3	0	230	1↔2	7	115	2 ½"
PABR 32 DE	1 ¼"	1 ¼"	29.0	0	230	1↔2	7	115	2 ½"
PABR 40 DE	1 ½"	1 ½"	44.8	0	230	1↔2	7	115	2 ½"
PABR 50 DE	2"	2"	56.9	0	175	1↔2	7	115	2 ½"

### VALVE MODEL DIMENSIONS

Model #	Width (A)	Width (B)	Height (C)	Height (D)	Width (E)	Weight
PABR 15 DE	2-9/16"	7-9/16"	7-5/16"	6-3/4"	3-11/32"	2.64 lbs.
PABR 20 DE	2-15/16"	7-13/16"	7-9/16"	6-7/8"	3-11/32"	2.86 lbs.
PABR 25 DE	3-9/16"	8-11/32"	8-3/32"	7-11/32"	3-11/32"	3.30 lbs.
PABR 32 DE	4-11/32"	8-13/16"	8-17/32"	7-19/32"	3-11/32"	4.18 lbs.
PABR 40 DE	4-23/32"	9-1/16"	8-13/16"	7-13/16"	3-11/32"	4.62 lbs.
PABR 50 DE	5-29/32"	9-3/4"	9-1/2"	8-5/32"	3-11/32"	6.38 lbs.



For more information,  
visit our web site at  
[www.granzow.com](http://www.granzow.com)