

### Series PABR-45

Compact Design, Bronze, Air-Actuated Valve Series

**1/2"-1"**  
NPT Connection

**1/2"-1"**  
Orifice Size

**0-230 psi**  
Operating Pressure



#### Technical Specifications

Media Temperature:	14-360°F
Ambient Temperature:	14-140°F
Body Material:	Bronze
Seal Material:	PTFE
Pilot Media:	Air, Inert Gases, Water
Optical Position Indicator:	Standard
Anti-Waterhammer:	With 2 → 1 Flow

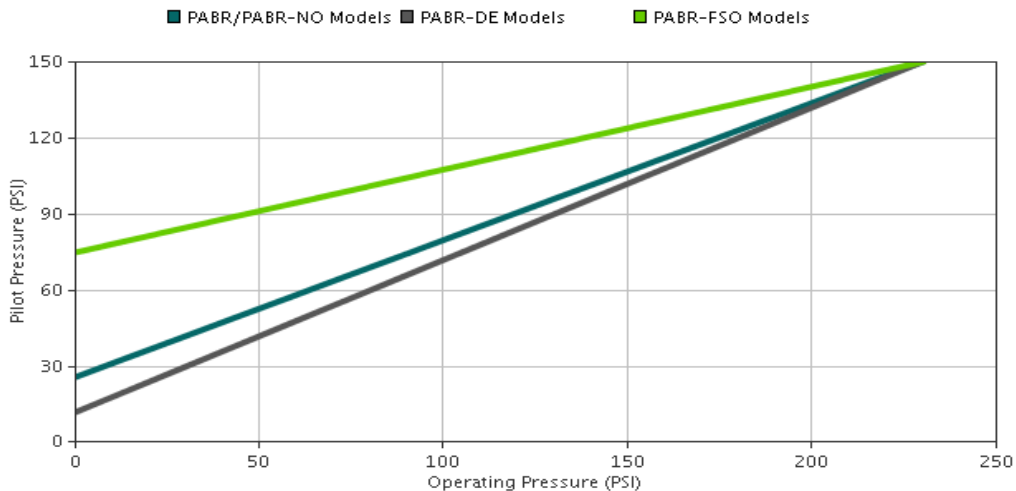
**Note:** Actuator housing 360° rotation.

#### Additional Information

Flow Type:	NC, NO, or Double-Acting
Flow Direction:	(See models on next page)
Medium Examples:	Water, Oil, Air, Steam, Aggressive Media*

\*Working pressure with steam is 150 psi maximum.

### Pressure Chart of Series PABR-45

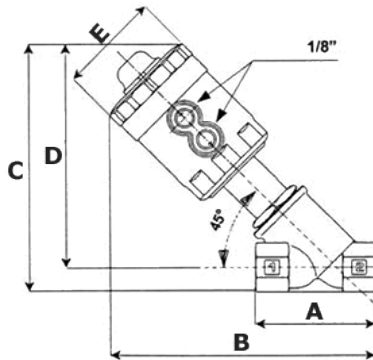


### AVAILABLE VALVE MODELS

Model #	NPT	Orifice	Flow Rate (CV)	Operating Pressure (PSI)		Flow Direction	Pilot Pressure (PSI)		Actuator Diameter
				Min	Max		Min	Max	
PABR 15-45	1/2"	1/2"	4.6	0	230	1→2	26	150	1 3/4"
PABR 20-45	3/4"	3/4"	8.6	0	230	1→2	26	150	1 3/4"
PABR 25-45	1"	1"	19.3	0	230	1→2	26	150	1 3/4"
PABR 15-45 FSO	1/2"	1/2"	4.6	0	230/230	1→2/2→1	75	150	1 3/4"
PABR 20-45 FSO	3/4"	3/4"	8.6	0	230/100	1→2/2→1	75	150	1 3/4"
PABR 25-45 FSO	1"	1"	19.3	0	230/70	1→2/2→1	75	150	1 3/4"
PABR 15-45 NO	1/2"	1/2"	4.6	0	230	2→1	26	150	1 3/4"
PABR 20-45 NO	3/4"	3/4"	8.6	0	230	2→1	26	150	1 3/4"
PABR 25-45 NO	1"	1"	19.3	0	230	2→1	26	150	1 3/4"
PABR 15-45 DE	1/2"	1/2"	4.6	0	230	1↔2	12	150	1 3/4"
PABR 20-45 DE	3/4"	3/4"	8.6	0	230	1↔2	12	150	1 3/4"
PABR 25-45 DE	1"	1"	19.3	0	230	1↔2	12	150	1 3/4"

### VALVE MODEL DIMENSIONS

Model #	Width (A)	Width (B)	Height (C)	Height (D)	Width (E)	Weight
PABR 15-45	2-9/16"	6-1/16"	5-11/32"	4-27/32"	2-1/4"	1.50 lbs.
PABR 20-45	2-15/16"	6-3/32"	5-5/32"	5-1/8"	2-1/4"	1.75 lbs.
PABR 25-45	3-9/16"	6-19/32"	6-5/16"	5-17/32"	2-1/4"	2.20 lbs.
PABR 15-45 FSO	2-9/16"	6-1/16"	5-11/32"	4-27/32"	2-1/4"	1.50 lbs.
PABR 20-45 FSO	2-15/16"	6-3/32"	5-5/32"	5-1/8"	2-1/4"	1.75 lbs.
PABR 25-45 FSO	3-9/16"	6-19/32"	6-5/16"	5-17/32"	2-1/4"	2.20 lbs.
PABR 15-45 NO	2-9/16"	6-1/16"	5-11/32"	4-27/32"	2-1/4"	1.50 lbs.
PABR 20-45 NO	2-15/16"	6-3/32"	5-5/32"	5-1/8"	2-1/4"	1.75 lbs.
PABR 25-45 NO	3-9/16"	6-19/32"	6-5/16"	5-17/32"	2-1/4"	2.20 lbs.
PABR 15-45 DE	2-9/16"	6-1/16"	5-11/32"	4-27/32"	2-1/4"	1.50 lbs.
PABR 20-45 DE	2-15/16"	6-3/32"	5-5/32"	5-1/8"	2-1/4"	1.75 lbs.
PABR 25-45 DE	3-9/16"	6-19/32"	6-5/16"	5-17/32"	2-1/4"	2.20 lbs.



For more information,  
visit our web site at  
[www.granzow.com](http://www.granzow.com)