

Series PABR

Normally Closed, Bronze, Air-Actuated Valve Series

1/2"-2"
NPT Connection

1/2"-2"
Orifice Size

0-290 psi
Operating Pressure



Technical Specifications

Media Temperature:	14-360°F
Ambient Temperature:	14-140°F
Body Material:	Bronze
Seal Material:	PTFE
Pilot Media:	Air, Inert Gases, Water
Optical Position Indicator:	Standard

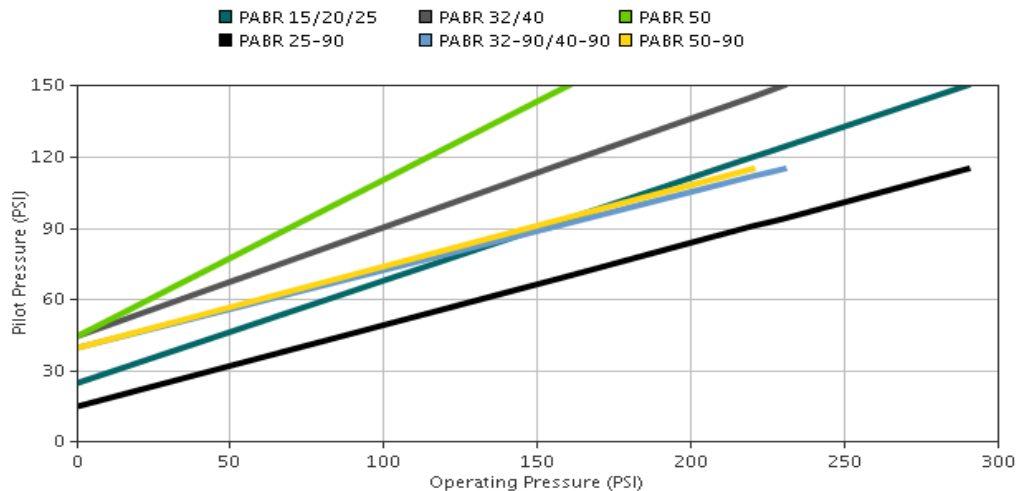
Note: Actuator housing 360° rotation.

Additional Information

Flow Type:	Normally Closed
Flow Direction:	Over Seat (1→2)
Medium Examples:	Water, Oil, Air, Steam, Aggressive Media*

*Working pressure with steam is 150 psi maximum.

Pressure Chart of Series PABR

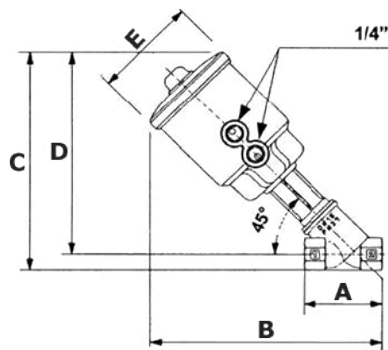


AVAILABLE VALVE MODELS

Model #	NPT	Orifice	Flow Rate (CV)	Operating Pressure (PSI)		Flow Direction	Pilot Pressure (PSI)		Actuator Diameter
				Min	Max		Min	Max	
PABR 15	½"	½"	4.6	0	290	1→2	25	150	2 ½"
PABR 20	¾"	¾"	8.6	0	290	1→2	25	150	2 ½"
PABR 25	1"	1"	19.3	0	290	1→2	25	150	2 ½"
PABR 32	1 ¼"	1 ¼"	29.0	0	230	1→2	45	150	2 ½"
PABR 40	1 ½"	1 ½"	44.8	0	230	1→2	45	150	2 ½"
PABR 50	2"	2"	56.9	0	160	1→2	45	150	2 ½"
PABR 25-90	1"	1"	19.3	0	290	1→2	15	115	3 ½"
PABR 32-90	1 ¼"	1 ¼"	29.0	0	230	1→2	40	115	3 ½"
PABR 40-90	1 ½"	1 ½"	44.8	0	230	1→2	40	115	3 ½"
PABR 50-90	2"	2"	56.9	0	220	1→2	40	115	3 ½"

VALVE MODEL DIMENSIONS

Model #	Width (A)	Width (B)	Height (C)	Height (D)	Width (E)	Weight
PABR 15	2-9/16"	7-9/16"	7-5/16"	6-3/4"	3-11/32"	2.64 lbs.
PABR 20	2-15/16"	7-13/16"	7-9/16"	6-7/8"	3-11/32"	2.86 lbs.
PABR 25	3-9/16"	8-11/32"	8-3/32"	7-11/32"	3-11/32"	3.30 lbs.
PABR 32	4-11/32"	8-13/16"	8-17/32"	7-19/32"	3-11/32"	4.18 lbs.
PABR 40	4-23/32"	9-1/16"	8-13/16"	7-13/16"	3-11/32"	4.62 lbs.
PABR 50	5-29/32"	9-3/4"	9-1/2"	8-5/32"	3-11/32"	6.38 lbs.
PABR 25-90	3-9/16"	8-11/32"	8-3/32"	7-11/32"	4-13/32"	4.40 lbs.
PABR 32-90	4-11/32"	9-1/4"	9-12/32"	7-15/32"	4-13/32"	5.28 lbs.
PABR 40-90	4-23/32"	9-1/2"	9-9/32"	7-11/16"	4-13/32"	5.72 lbs.
PABR 50-90	5-29/32"	10-1/16"	9-27/32"	8"	4-13/32"	7.26 lbs.



For more information,
visit our web site at
www.granzow.com